

job name:
 type:

8" bul.it™ spec sheet 90CRI

material

housing

precision CNC spun .063" aluminum parabolic housing with rolled bottom edge for added strength.

array platform

.080" spun aluminum.

bottom lens (optional)

.125" P95 frosted acrylic flat lens with 3 finger holes.

decorative ring (optional)

.125" colored acrylic ring.

optics

.050" spun aluminum conical reflector finished in high reflectance (>92%) matte white powder coat.

LED module

COB array in 2700K, 3000K, 3500K, or 4000K. (call factory for 5000K) (90+ cri standard). under normal operating conditions, the LEDs employed are rated for >50,000hrs L70 (6.8K) per IES TM-21 from LM-80 test data.

driver

integral, class 2, universal input (120-277v), constant current, 0-10v dimming, 1% minimum dimming level, PF >.9, THD <20%, protections include open and short circuit, overload and over temperature.

mounting

5" dia. spun steel canopy in satin white with 6ft stainless steel cable tripod and field adjustable grippers that allow for exact AFF mounting heights. or select 12ft adjustable suspension. (drawing below)

premium mountings

colored cloth cord (optional)

spun aluminum driver canopy painted to match fixture. ultrathin stainless steel cable tripod and field adjustable grippers that allow for exact AFF mounting heights. cloth-covered power cord color options listed below. cord requires special stripping tool (link).

power over cable (optional)

spun aluminum driver canopy painted to match fixture. Class 2 LED powered suspension system that suspends and powers the fixture with thin stainless steel copper-core conductive cables, providing a clean look without the need for a separate power cord. powered suspension requires cable cutter (link) specifically designed to cut stainless steel aircraft cable from 1/32" to 1/8".

emergency

recommend use of inverter (by other). optional WREM: wired for remote EM battery (by other). if using WHPC, SBPC, or BKPC cords, 2nd power cord required.



catalog number

P3308					
size	CCT	lumens	painted finish	power cord	options
P3308 8"dia X 8.75"ht see pages 2 & 3 for info on P3312 and P3316	27 2700K 30 3000K 35 3500K 40 4000K	LO 995 lm HI 1985 lm HX 2780 lm	AP anodized paint BS brass BU blue BZ bronze CP champagne FB flat black GM gun metal MB military blue MW matte white OR orange RD red SB satin black SS satin silver TG textured gray YO yellow premium finish RAL specify RAL#	WHPC white power cord and canopy BKPC black power cord and canopy SBPC silver braid power cord and white canopy premium (driver canopy required) (not available w/ 12ft option) BUPC blue cloth cord ORPC orange cloth cord PLPC purple cloth cord RDPC red cloth cord WGPC white & gray dot cloth cord POC power over cable	6FT 72" cables 12FT 12ft adj suspension [†] <small>[†]not available with premium power cords</small> BL Bottom lens DRA amber decorative ring DRB blue decorative ring DRF frost decorative ring DRG green decorative ring DRR red decorative ring DRY yellow decorative ring WREM wired for remote EM battery pack (by other) (see note above) ELD EldoLED* LUT Lutron* <small>*consult factory</small>



job name:
 type:

12" bul.it™ spec sheet 90CRI

material

housing

precision CNC spun .063" aluminum parabolic housing with rolled bottom edge for added strength.

array platform

.080" spun aluminum.

bottom lens (optional)

.125" P95 frosted acrylic flat lens with 3 finger holes.

decorative ring (optional)

.125" colored acrylic ring.

optics

.050" spun aluminum conical reflector finished in high reflectance (>92%) matte white powder coat.

LED module

COB array in 2700K, 3000K, 3500K, or 4000K. (call factory for 5000K) (90+ cri standard). under normal operating conditions, the LEDs employed are rated for >50,000hrs L70 (6.8K) per IES TM-21 from LM-80 test data.

driver

integral, programmable, UL class P, class 2, universal input (120-277v), constant current, 0-10v dimming, 1% minimum dimming level, PF >.9, THD <20%, protections include open and short circuit, overload and over temperature.

mounting

5" dia. spun steel canopy in satin white with 6ft stainless steel cable tripod and field adjustable grippers that allow for exact AFF mounting heights. or select 12ft adjustable suspension. (drawing below)

premium mountings

colored cloth cord (optional)

spun aluminum driver canopy painted to match fixture. ultrathin stainless steel cable tripod and field adjustable grippers that allow for exact AFF mounting heights. cloth-covered power cord color options listed below. cord requires special stripping tool (link).

power over cable (optional)

spun aluminum driver canopy painted to match fixture. Class 2 LED powered suspension system that suspends and powers the fixture with thin stainless steel copper-core conductive cables, providing a clean look without the need for a separate power cord. powered suspension requires cable cutter (link) specifically designed to cut stainless steel aircraft cable from 1/32" to 1/8".

emergency

recommend use of inverter (by other). optional WREM: wired for remote EM battery (by other). if using WHPC, SBPC, or BKPC cords, 2nd power cord required.



catalog number

P3312					
size	CCT	lumens	painted finish	power cord	options
P3312 12"dia X 12"ht see page 3 for info on P3316	27 2700K 30 3000K 35 3500K 40 4000K	FX 960 lm LO 1915 lm HI 3065 lm CL* xxxx lm custom lumens consult factory	AP anodized paint BS brass BU blue BZ bronze CP champagne FB flat black GM gun metal MB military blue MW matte white OR orange RD red SB satin black SS satin silver TG textured gray YO yellow premium finish RAL specify RAL#	WHPC white power cord and canopy BKPC black power cord and canopy SBPC silver braid power cord and white canopy premium (driver canopy required) (not available w/ 12ft option) BUPC blue cloth cord ORPC orange cloth cord PLPC purple cloth cord RDPC red cloth cord WGPC white & gray dot cloth cord POC power over cable	6FT 72" cables 12FT 12ft adj suspension [†] <small>†not available with premium power cords</small> BL Bottom lens DRA amber decorative ring DRB blue decorative ring DRF frost decorative ring DRG green decorative ring DRR red decorative ring DRY yellow decorative ring WREM wired for remote EM battery pack <small>(by other) (see note above)</small> ELD EldoLED* LUT Lutron* <small>*consult factory</small>



job name:
 type:

16" bul.it™ spec sheet 90CRI

material

housing

precision CNC spun .063" aluminum parabolic housing with rolled bottom edge for added strength.

array platform

.080" spun aluminum.

bottom lens (optional)

.125" P95 frosted acrylic flat lens with 3 finger holes.

decorative ring (optional)

.125" colored acrylic ring.

optics

.050" spun aluminum conical reflector finished in high reflectance (>92%) matte white powder coat.

LED module

COB array in 2700K, 3000K, 3500K, or 4000K. (call factory for 5000K) (90+ cri standard). under normal operating conditions, the LEDs employed are rated for >50,000hrs L70 (6.8K) per IES TM-21 from LM-80 test data.

driver

integral, programmable, UL class P, class 2, universal input (120-277v), constant current, 0-10v dimming, 1% minimum dimming level, PF >.9, THD <20%, protections include open and short circuit, overload and over temperature.

mounting

5" dia. spun steel canopy in satin white with 6ft stainless steel cable tripod and field adjustable grippers that allow for exact AFF mounting heights. or select 12ft adjustable suspension. (drawing below)

premium mountings

colored cloth cord (optional)

spun aluminum driver canopy painted to match fixture. ultrathin stainless steel cable tripod and field adjustable grippers that allow for exact AFF mounting heights. cloth-covered power cord color options listed below. cord requires special stripping tool (link).

power over cable (optional)

spun aluminum driver canopy painted to match fixture. Class 2 LED powered suspension system that suspends and powers the fixture with thin stainless steel copper-core conductive cables, providing a clean look without the need for a separate power cord. powered suspension requires cable cutter (link) specifically designed to cut stainless steel aircraft cable from 1/32" to 1/8".

emergency

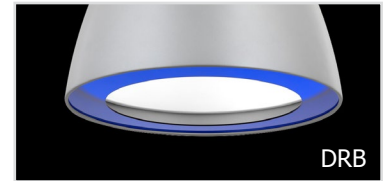
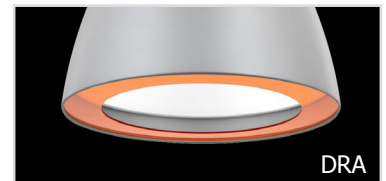
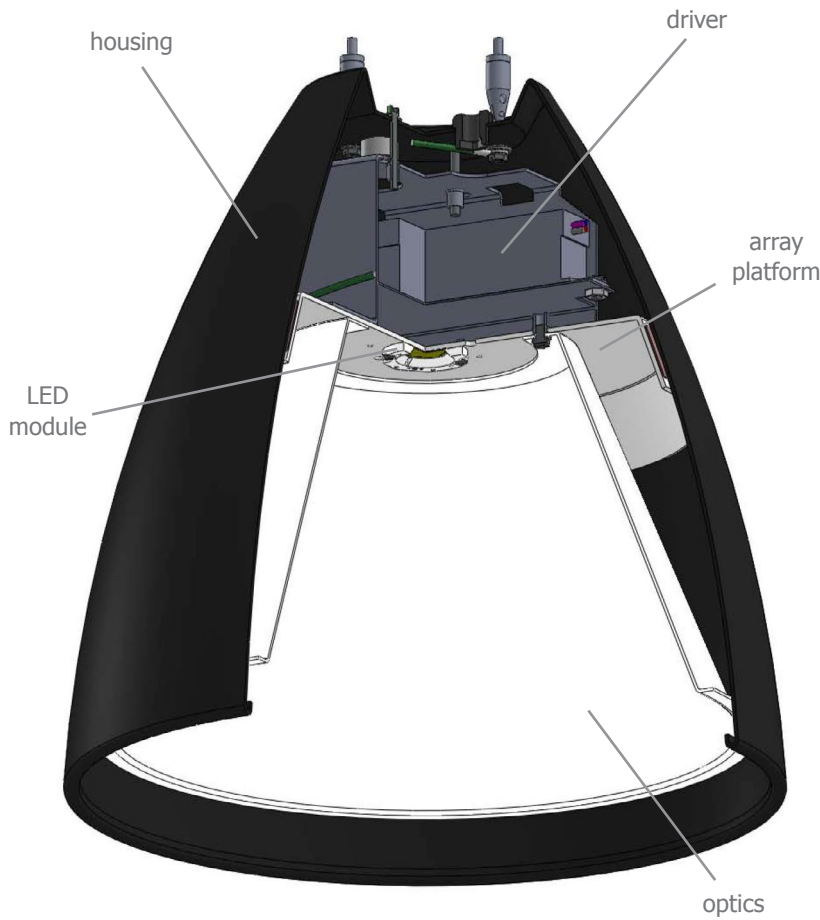
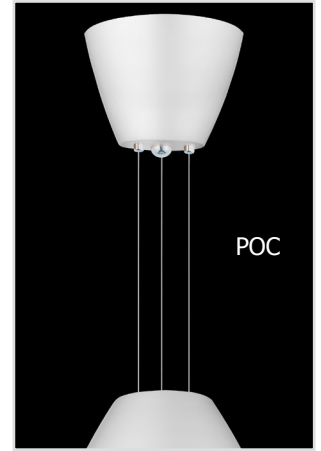
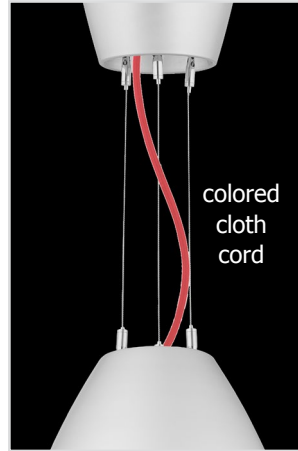
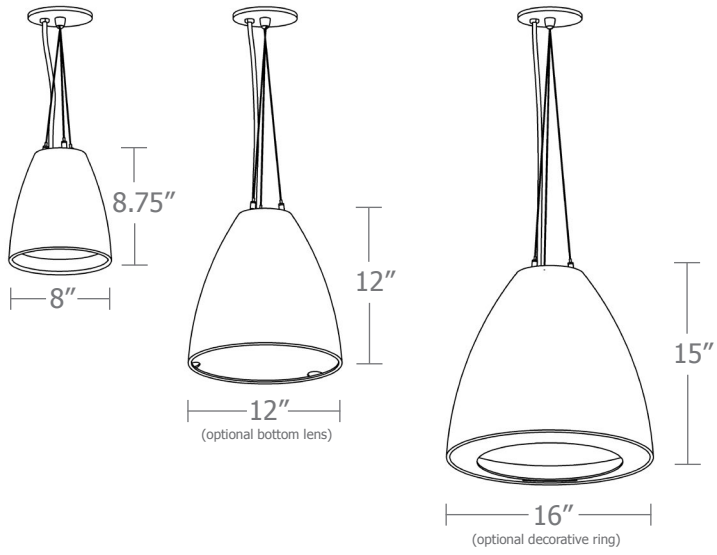
recommend use of inverter (by other). optional WREM: wired for remote EM battery (by other). if using WHPC, SBPC, or BKPC cords, 2nd power cord required.



catalog number

P3316					
size	CCT	lumens	painted finish	power cord	options
P3316 16"dia X 15"ht	27 2700K	FX 1600 lm	AP anodized paint	WHPC white power cord and canopy	6FT 72" cables
	30 3000K	LO 2620 lm	BS brass	BKPC black power cord and canopy	12FT 12ft adj suspension [†] <small>†not available with premium power cords</small>
	35 3500K	HI 3000 lm	BU blue	SBPC silver braid power cord and white canopy	BL Bottom lens
	40 4000K	HX 3885 lm	BZ bronze	premium (driver canopy required) (not available w/ 12ft option)	DRA amber decorative ring
		CL* xxxx lm <small>custom lumens consult factory</small>	CP champagne	BUPC blue cloth cord	DRB blue decorative ring
			FB flat black	ORPC orange cloth cord	DRF frost decorative ring
			GM gun metal	PLPC purple cloth cord	DRG green decorative ring
			MB military blue	RDPC red cloth cord	DRR red decorative ring
			MW matte white	WGPC white & gray dot cloth cord	DRY yellow decorative ring
			OR orange	POC power over cable	WREM wired for remote EM battery pack <small>(by other) (see note above)</small>
			RD red		ELD EldoLED*
			SB satin black		LUT Lutron* <small>*consult factory</small>
			SS satin silver		
			TG textured gray		
			YO yellow		
			premium finish		
			RAL specify RAL#		

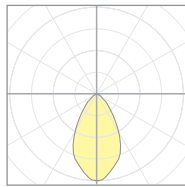




Calculation Table

The application of a Light Loss Factor is required to:

- match the lumen output for the power module specified
- incorporate the increased lumen output due to LED/Driver upgrades



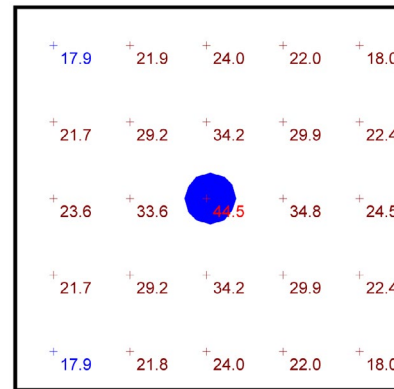
20157
P3308-BL

Cat No	Delivered* Lumens	Watts 120V / 277V	IES File #	LLF to be applied
P3308 LO	995	10	20158 open	.45
			20157 lensed	.43
P3308 HI	1985	20	20158 open	.89
			20157 lensed	.86
P3308 HX	2780	29	20158 open	1.25
			20157 lensed	1.20
P3312 FX	960	10	18609 open	.28
			18610 lensed	.27
P3312 LO	1915	21	18609 open	.57
			18610 lensed	.54
P3312 HI	3065	33	18609 open	.91
			18610 lensed	.86
P3316 FX	1600	19	18611 open	.50
			18612 lensed	.48
P3316 LO	2620	29	18611 open	.82
			18612 lensed	.79
P3316 HI	3000	33	18611 open	.94
			18612 lensed	.91
P3316 HX	3885	40	18611 open	1.22
			18612 lensed	1.18

*delivered lumens based on 4000K, 90+ cri

Typical Lighting Layout

Symbol	QTY	Manufacturer	Catalog Number	Description	Lamp	Wattage
	1	Impact Architectural Lighting	P3316 40 HX	16" dia. pendant bul.it luminaire w/ open bottom	4000k 90cri LED	45



Plan View
Scale - 1" = 2ft

- 10' x 10' x 14'H space
- 80/50/20 reflectances
- bottom of fixture at 12' aff
- FC readings at 2.5' aff
- layout conducted using P3316 HX output (3885 delivered lumens)-BL

Statistics

Description	Symbol	Avg	Max	Min	Max/Min	Avg/Min
bul.it	+	25.7 fc	44.5 fc	17.9 fc	2.5:1	1.4:1



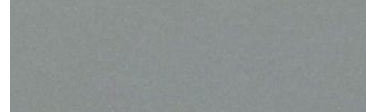
Powder Coat Paint Finishes



MW matte white



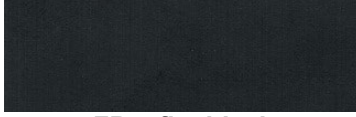
AP anodized paint



SS satin silver



TG textured gray



FB flat black



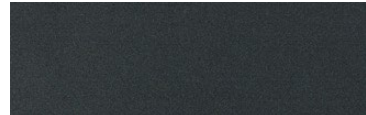
SB satin black



CP champagne



BZ bronze



GM gun metal



OR orange 2011



BU blue 5017



BS brass



RD red 3020



YO yellow 1018



MB military blue

For accurate color verification, actual finish samples are available upon request.

Premium Finishes*



RAL#

*Available on select series. Consult product submittal for availability.